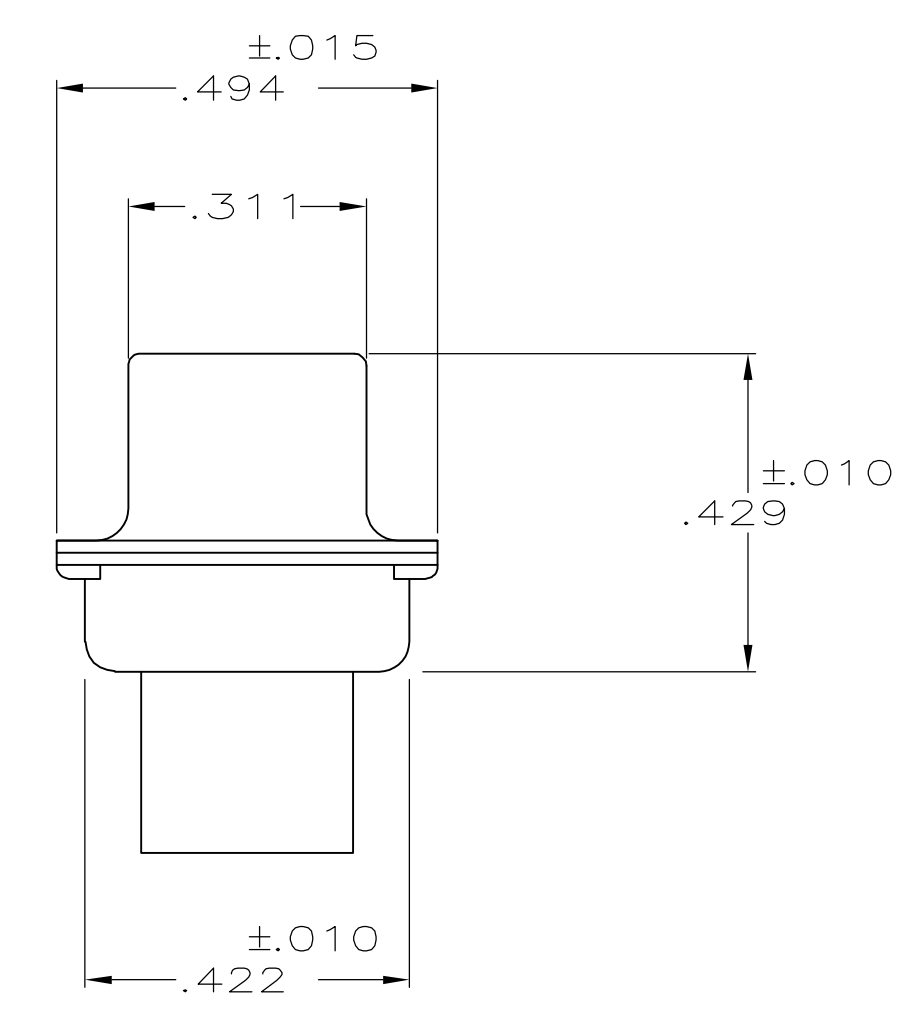
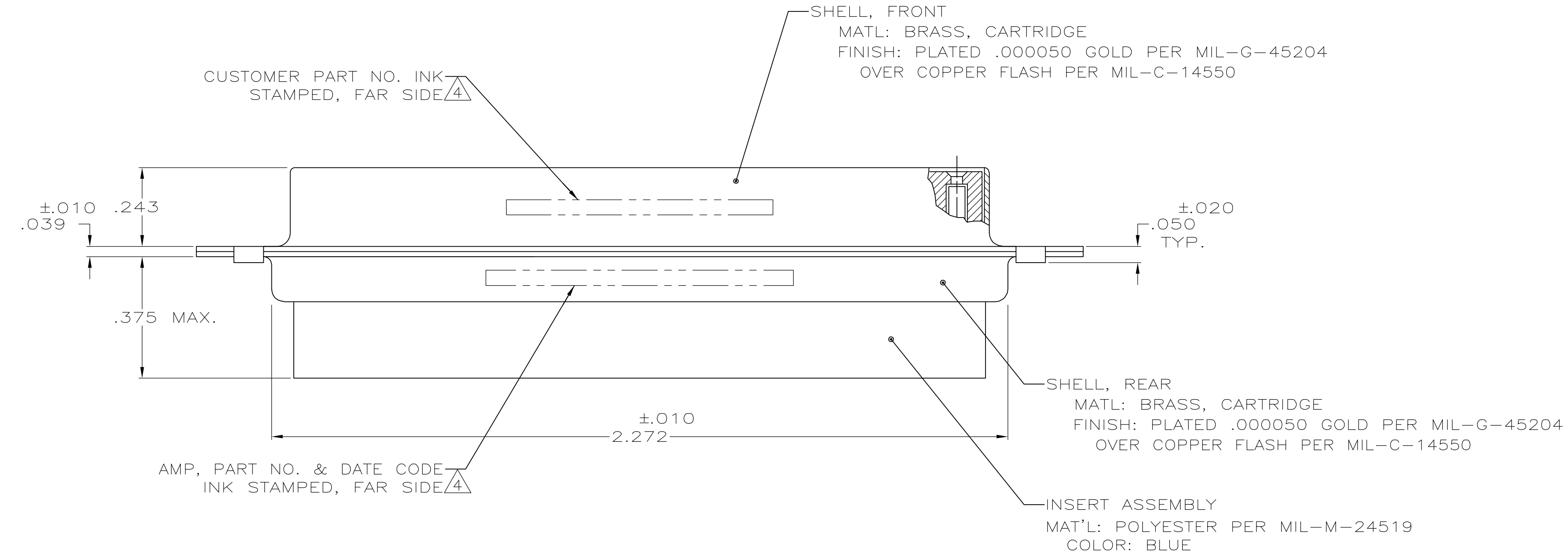


1. THIS RECEPTACLE WILL MATE WITH ANY PLUG CONNECTOR WITH THE SAME INSERT ARRANGEMENT AS DEFINED BY MS18276-1.
  2. MAXIMUM WIRE INSULATION USED WITH THIS RCPT. IS .072 DIA. MAX.
  3. Be-Cu RETENTION CLIPS ARE INCLUDED IN INSERTS.
- ⚠ 4 FAR SIDE REFERS TO WIDE SIDE OF KEYSTONE.
  - ⚠ 5 UL/CSA DESIGNATION STAMPED IN THIS AREA, OPTIONAL
  - ⚠ 6 RESTRICTED TO CAE ELECTRONICS ONLY.
  - ⚠ 7 THESE CONNECTORS ARE QUALIFIED TO GODDARD SPACE FLIGHT CENTER SPECIFICATION S-311-P-4.
  - ⚠ 8 CONNECTOR SUPPLIED WITH CONTACTS, AMP PART NUMBER 206793-1; (NOT INSTALLED).



	⚠ 8	.120	570513-4	206803-9
		.120	LMSC 1621480-004	206803-8
		.120	LMSC 1621480-004	206803-7
	⚠ 7	.120	311P409-4S-B-12	206803-6
OBSOLETE		.120	2A014-009V-001	206803-4
		.154		206803-3
	⚠ 7	.120	311P409-4S-B-12	206803-2
		.154	311P409-4S-B-15	206803-1
REMARKS		DIA A	INK STAMPED CUSTOMER P/N	INK STAMPED AMP P/N

THIS DRAWING IS A CONTROLLED DOCUMENT.

DIMENSIONS: INCHES	TOLERANCES UNLESS OTHERWISE SPECIFIED:	DIN M. CLOUSER 1-3-89	CHK T. CANTLIN 1-24-89	APVD T. CANTLIN 1-24-89	NAME
0 PLC ± -	1 PLC ± -	2 PLC ± -	3 PLC ± .005	4 PLC ± -	ANGLES ± -
MATERIAL SEE CALLOUTS	FINISH SEE CALLOUTS	WEIGHT	SIZE	CAGE CODE	DRAWING NO
			A1	00779	206803
CUSTOMER DRAWING			SCALE 4:1	SHEET 1 OF 1	REV N

**AMP** Tyco Electronics Corporation  
 Harrisburg, PA 17105-3608

RECEPTACLE FOR SOCKET CONTACT, HI-DENSITY HDM CONNECTOR, SIZE 4, 37 POS. (NON-MAGNETIC)